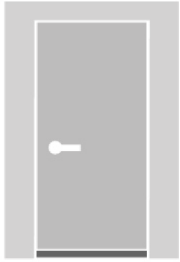



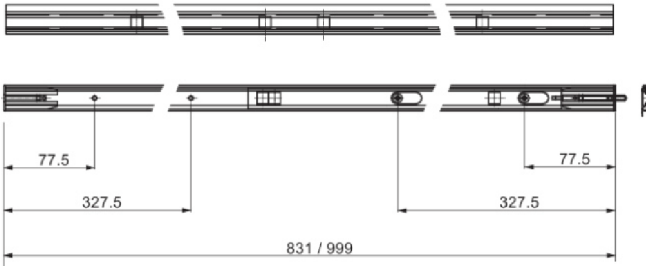
Inlay	MAX.Load : 30Kg	Thickness : 26 mm +	For Door
-------	-----------------	---------------------	----------



AIR TIGHT

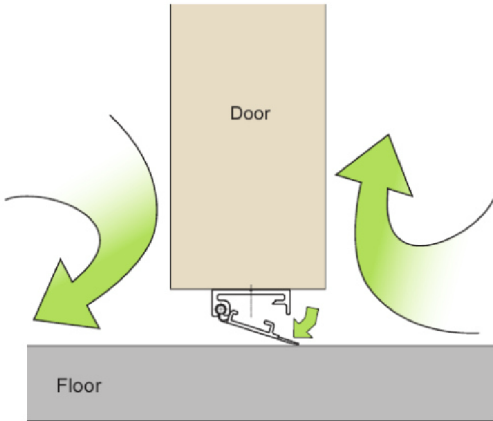
Blocks Drafts

Door functions as normal.
 When door closes rubber flap drops to keep-out drafts.
 Safe for floors.

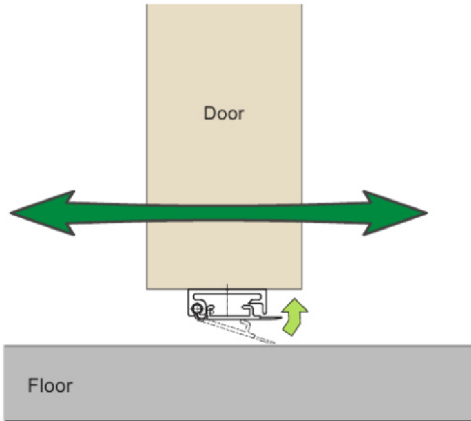
COMPONENTS			
NAME	ITEM	SCALE	DESCRIPTION
AIR TIGHT door seal			[material] Plastic / Steel ZDC [color] ■ (Black)

INSTALLATION

Open → Close



Close → Open



Open Position

